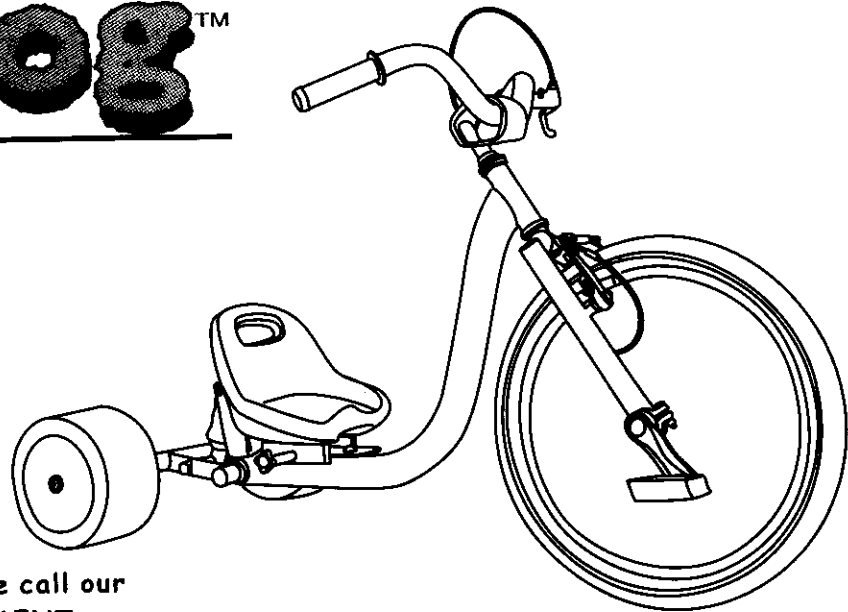


Yerf-Dog™

OWNER'S MANUAL BIGWHEEL MODEL 34300



For Replacement Parts or Service please call our
CUSTOMER ASSISTANCE DEPARTMENT

1-888-926-6554

Monday - Friday

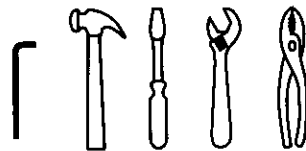
8:00 a.m. - 7:00 p.m.

Central Time Zone

Adult assembly required. Contains small parts.

Recommended ages: 7-14

TOOLS REQUIRED



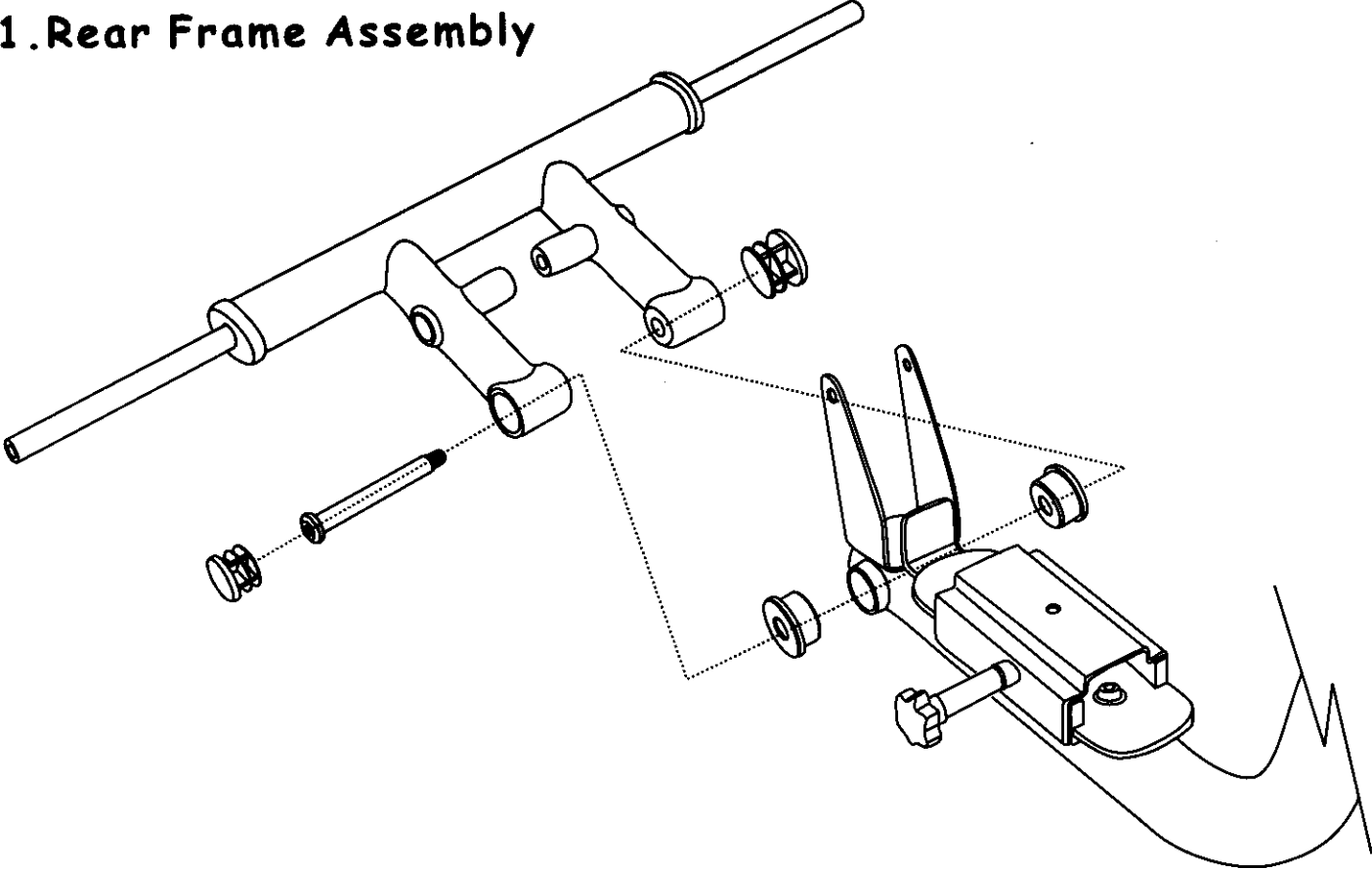
Flexible Flyer

100 Tubb Avenue West Point, Mississippi 39773

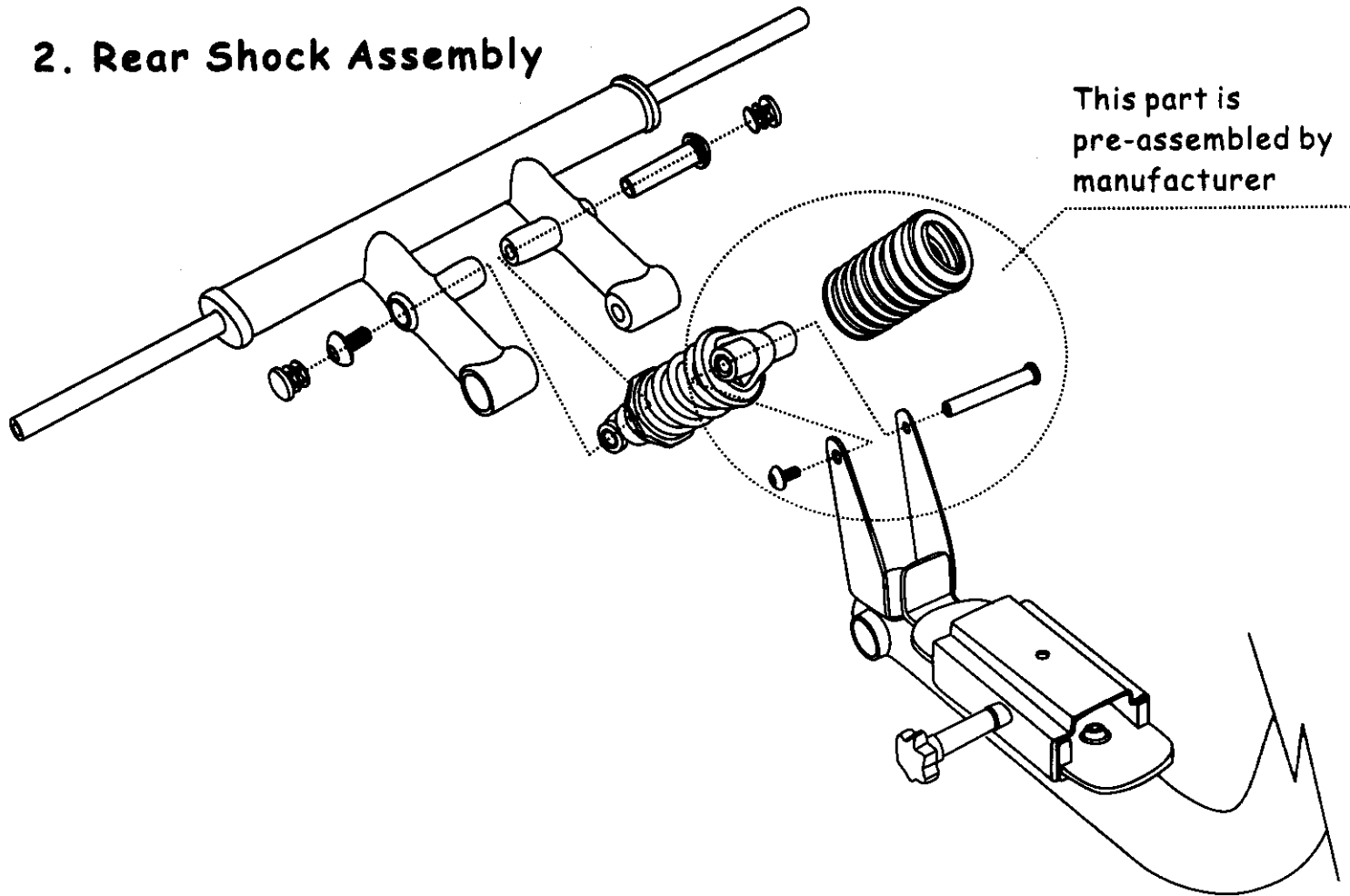
CAUTION: Contains small parts. Adult assembly required.

NOTE: THE LOCKNUTS (WITH PLASTIC INSERTS) USED IN THIS PRODUCT SHOULD ASSURE THAT THE FINISHED PRODUCT STAYS TIGHTLY ASSEMBLED FOR LONG USE. ASSEMBLE HEXAGONAL END OF NUT TO SCREW. THEN WHILE HOLDING NUT WITH WRENCH OR PLIERS TURN SCREW WITH SCREWDRIVER UNTIL SCREW PASSES THROUGH PLASTIC INSERT AND ASSEMBLY IS SECURE.

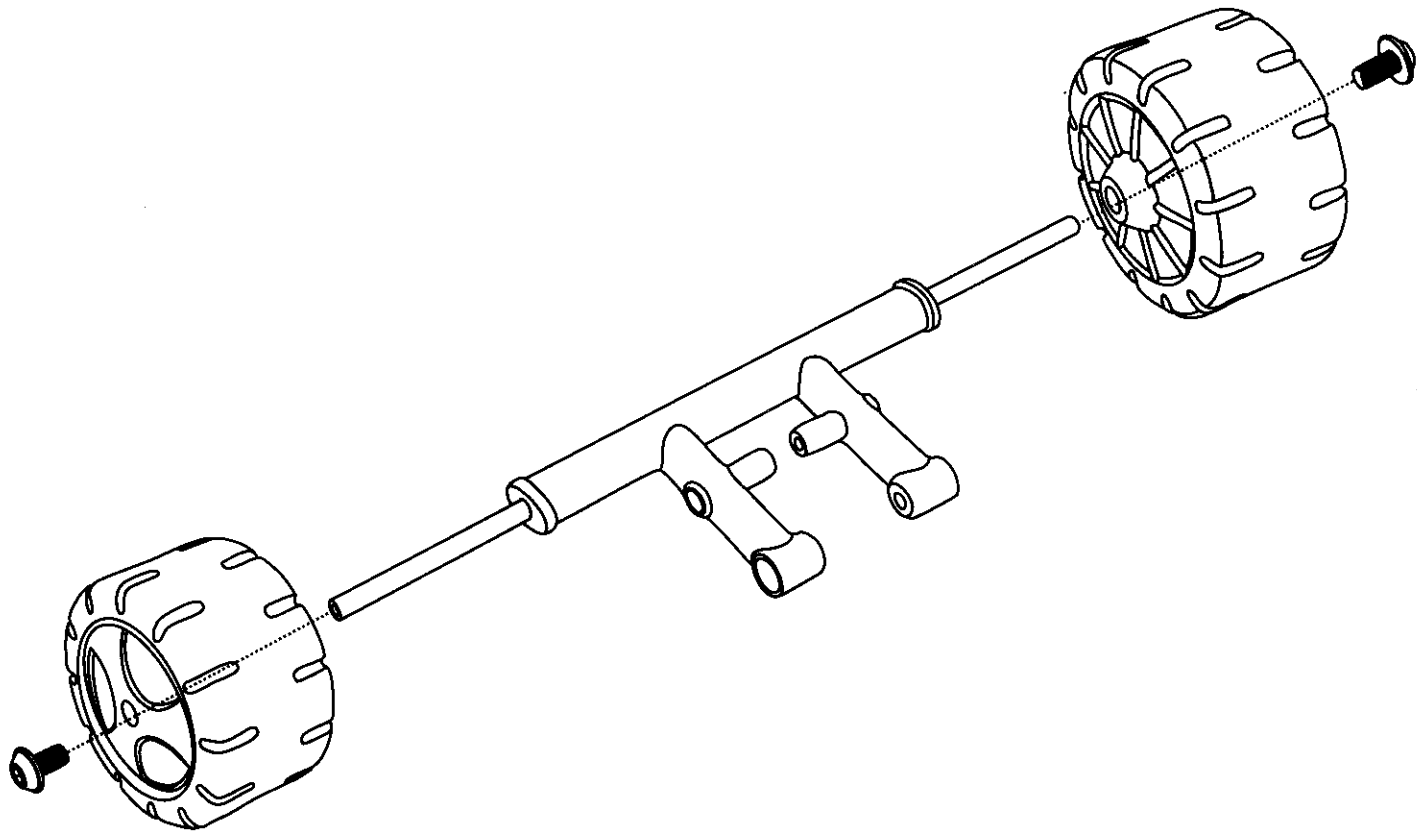
1. Rear Frame Assembly



2. Rear Shock Assembly

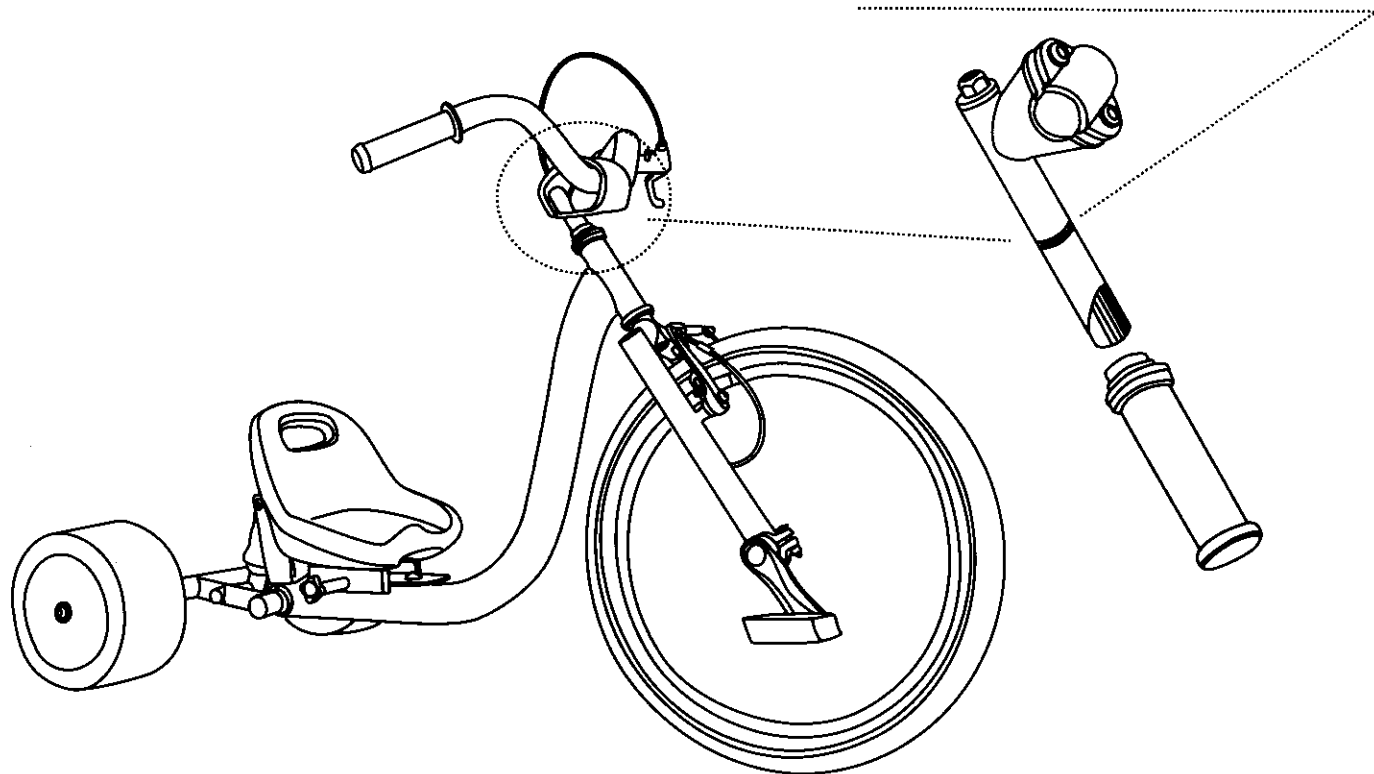


3. Rear Wheels Assembly

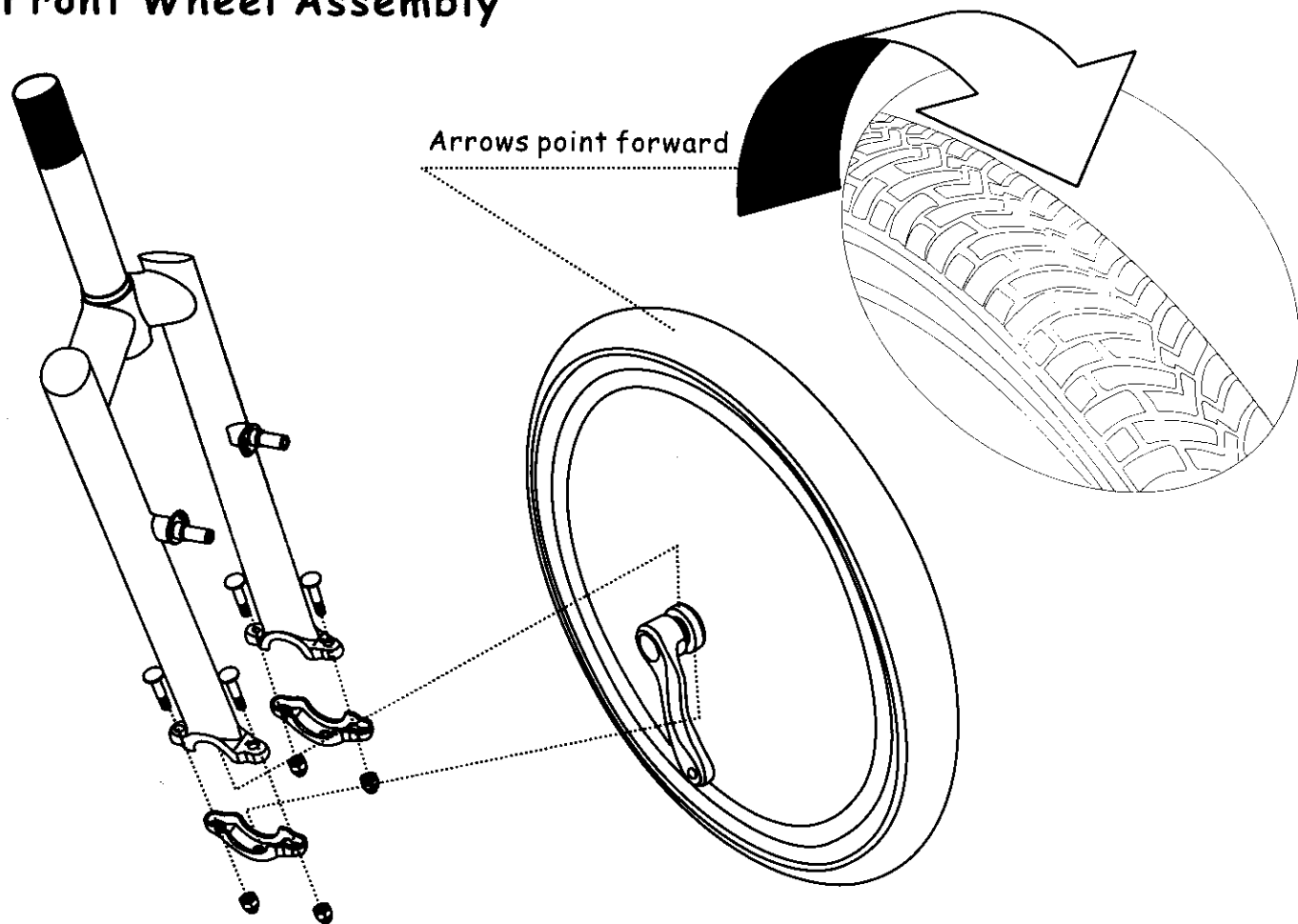


4. Handlebar Stem Assembly

Stem should be inserted beyond safety line

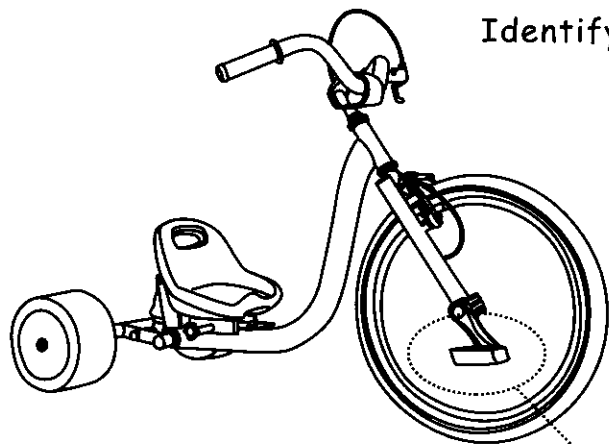


5. Front Wheel Assembly

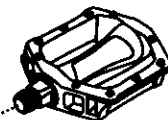


6. Pedal Assembly

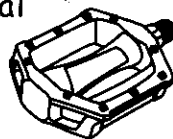
Identify pedal with "Right" & "Left" prior to installation.



Left Pedal

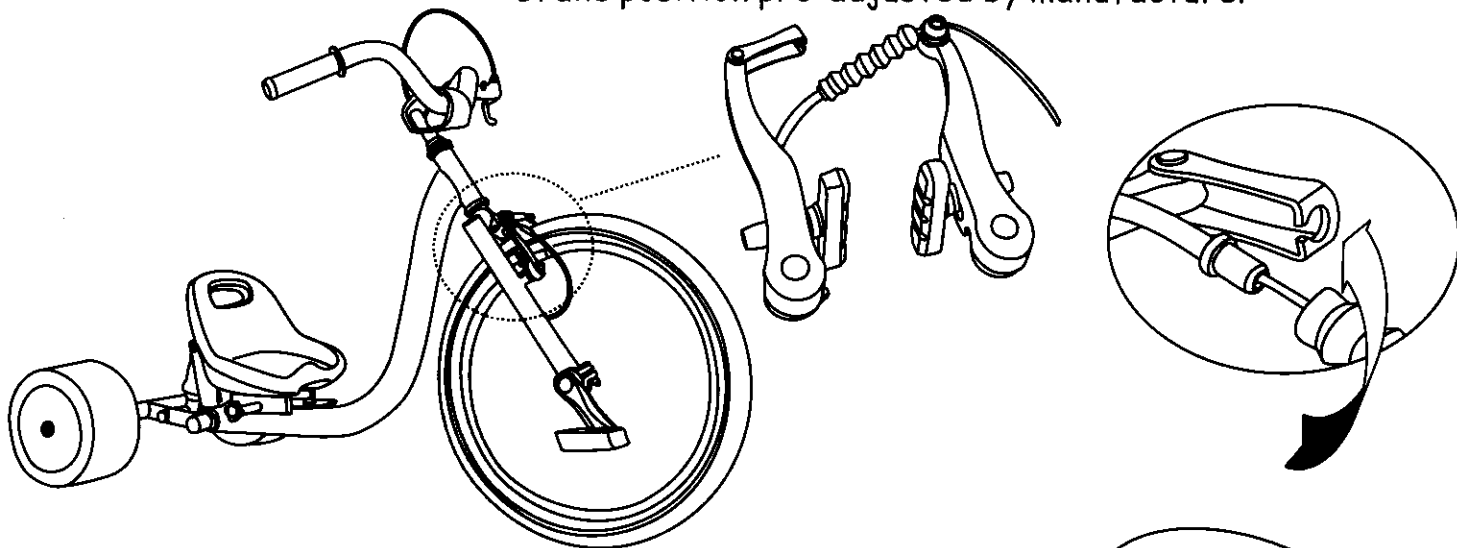


Right Pedal

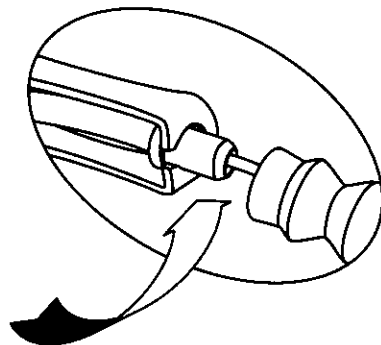
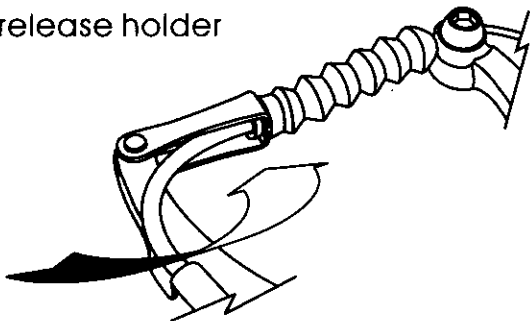


7. Brake Assembly

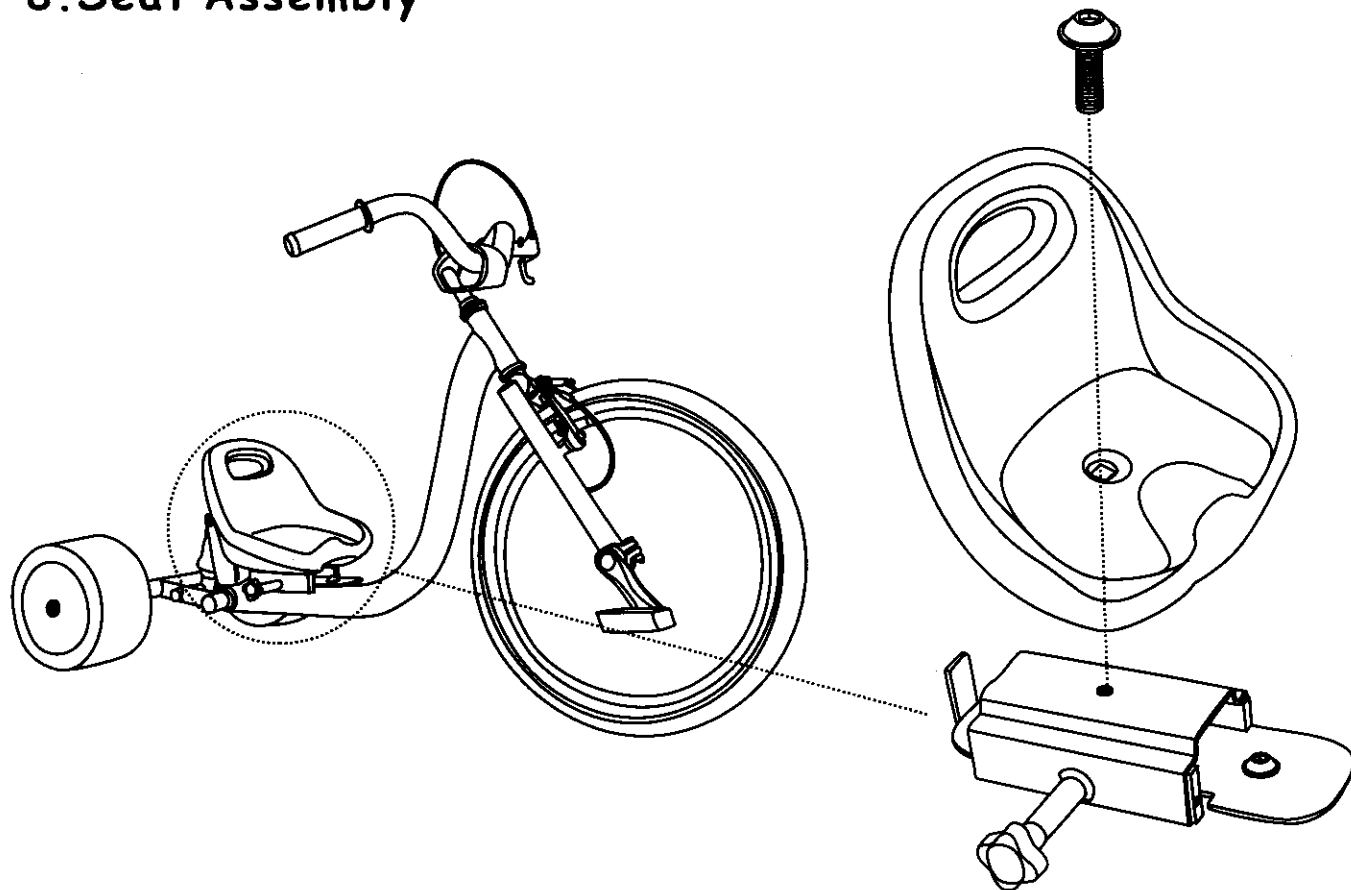
Brake position pre-adjusted by manufacturer



Brake cable should be inserted into quick-release holder as shown.
Secure brake cable to quick-release holder

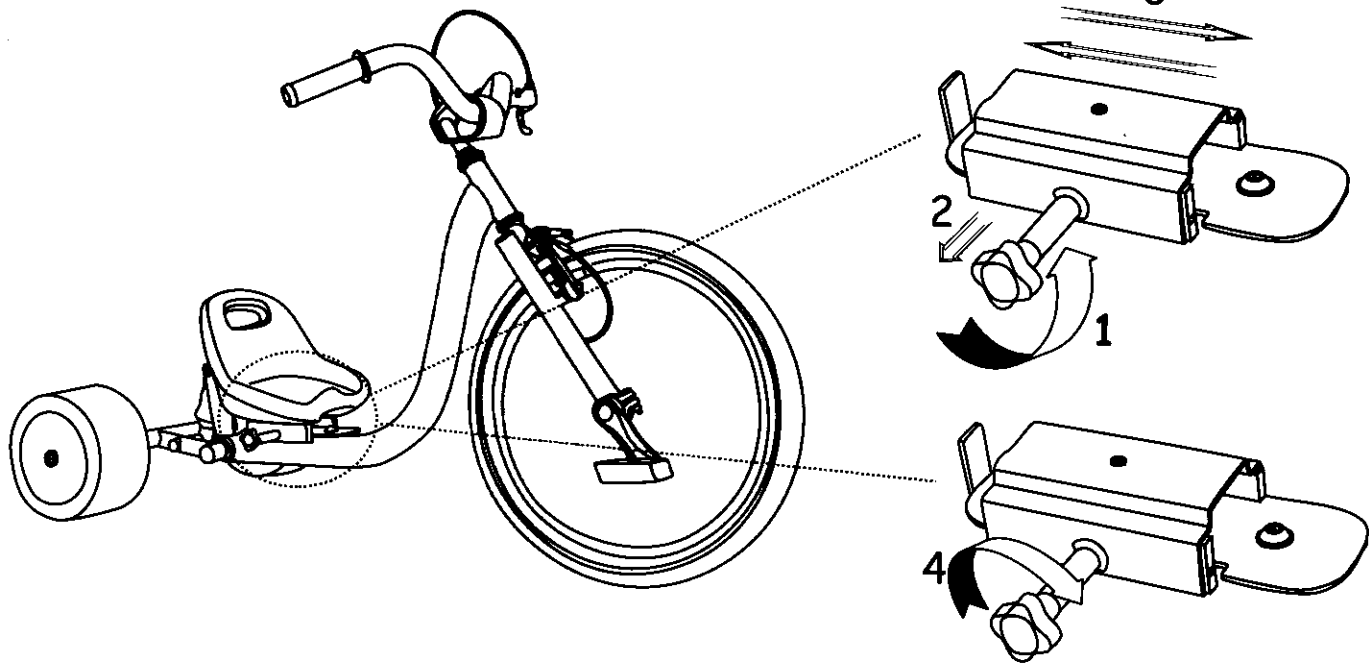


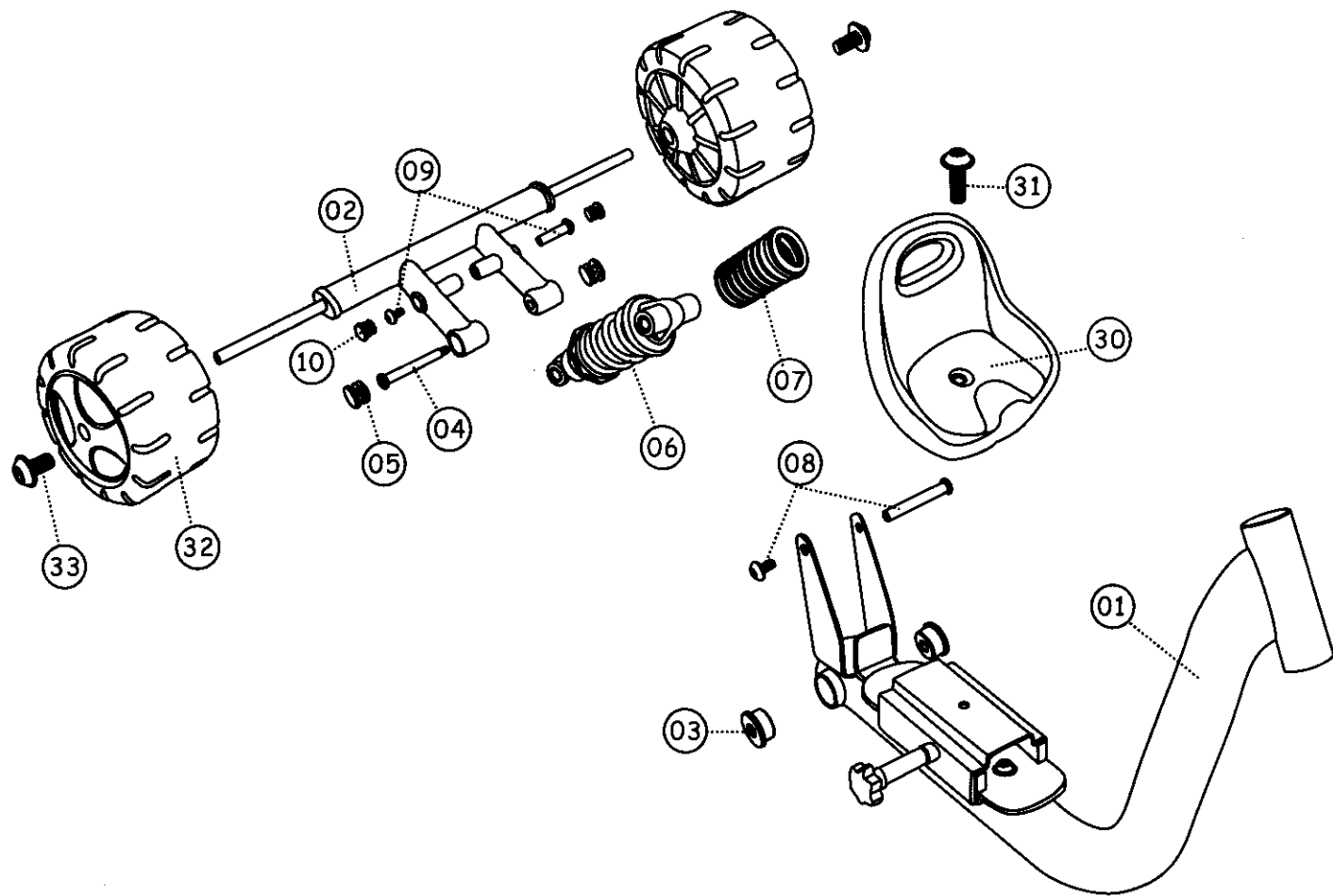
8. Seat Assembly

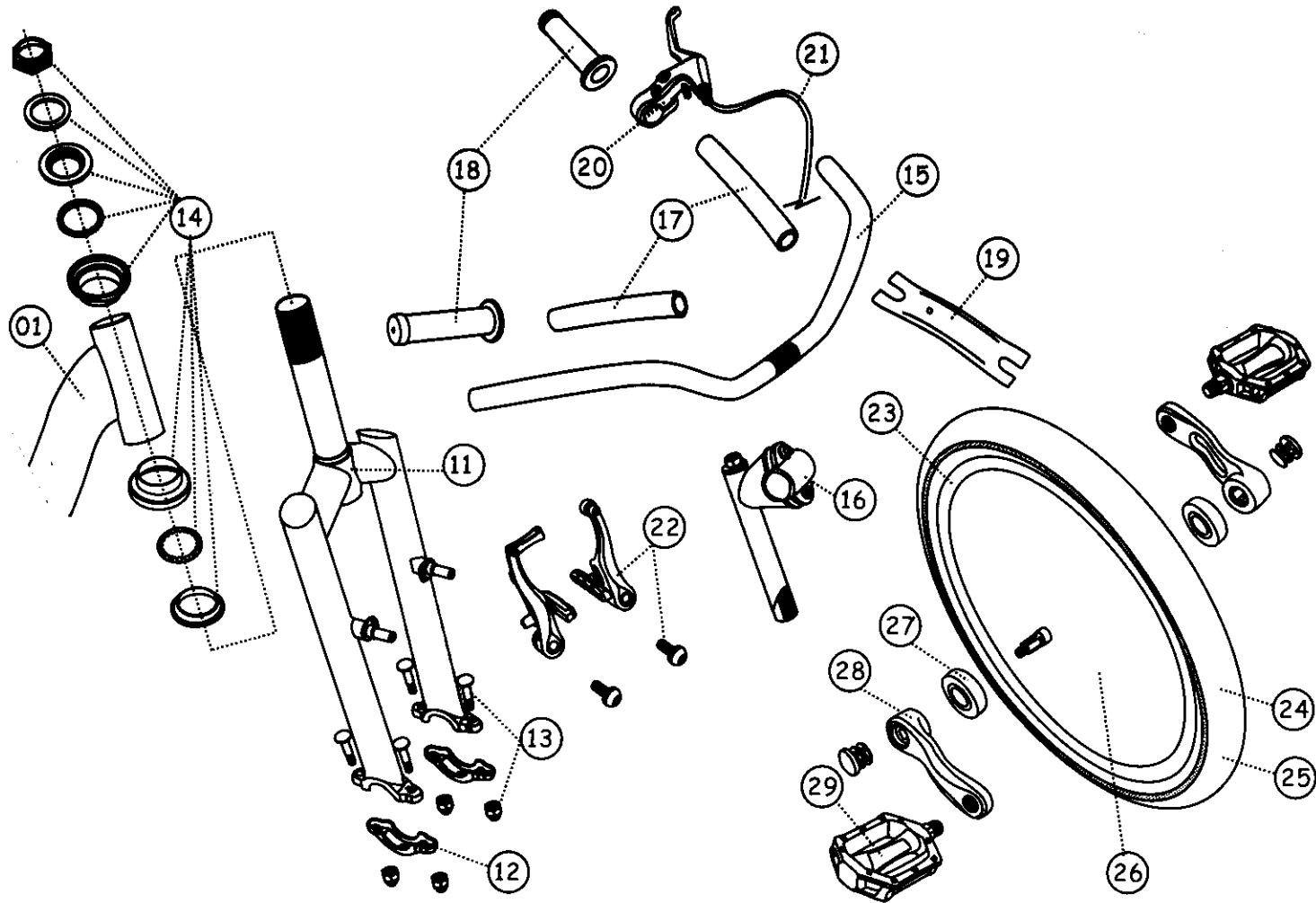


9. Adjusting Seat Position

1. Loosen adjusting pin by turning anti-clockwise
2. Pull out adjusting pin
3. Adjust seat to desire position
4. Tighten adjusting pin by turing clockwise, make sure the pin is tightly secured







Parts List

Item	Part No.	Description	Unit	Qty
01	05000	Main Frame	PC	1
02	50021	Rear Frame	PC	1
03	05024	Rear Frame Joint Shim	PC	2
04	05084	Rear Frame Joint Shim Bolt (M8xL:77mm)	PC	1
05	05027	Rear Frame Joint Shim Cap	PC	2
06	05041	Spring	PC	1
07	05042	Spring Protector Boot	PC	1
08	05081	Spring Mounting Bolt	SET	1
09	05085	Rear Frame Spring Support Tube Bolt	SET	1
10	05028	Rear Frame Spring Support Tube Cap	PC	2
11	05100	Front Fork	PC	1
12	05115	Bearing Cap	PC	2
13	05181	Bearing Cap Bolt (M6xL:29mm)	SET	4
14	05210	Head Parts dia. 30.0mm x 26.4mm	SET	1
15	05221	Handlebar dia. 22.2mm	PC	1
16	05231	Handlebar Stem dia. 22.2mm	PC	1
17	05242	Foam Grip ID:22.2mm x L:230/210mm	SET	1
18	05241	Grip ID:22.2mm x L: 120mm	PC	1
19	05243	Handlebar Stem Pad	PC	1
20	05411	Brake Lever	PC	1
21	05431	Brake Cable	PC	1
22	05421	Brake	PRS	1
23	05511	Rim 20" x 1.95"	PC	1
24	05561	Tire 20" x 1.95"	PC	1
25	05562	Inner Tube 20"	PC	1
26	05551	Wheel Cover 20"	PRS	1
27	05541	Hub Bearing OD:40mmxID:17mm	PC	1
28	05311	Crank alloy 4"	PRS	1
29	05321	Pedal CS-971N Axle: 9/16"	PRS	1
30	05611	Seat	PC	1
31	05681	Seat Bolt (M8xL:23mm)	PC	1
32	05571	Rear Wheel	PC	2
33	05581	Rear Wheel Mounting Bolt (M8xL:15mm)	PC	2