



16" RIDE-ON CYCLE

INSTRUCTIONS Ver. 1a

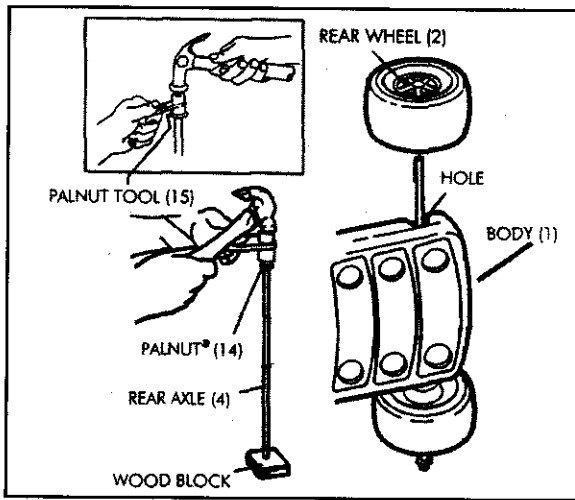
Model 96100A
Ages 3-8
Weight limit 70 lbs.

PLEASE RETAIN THIS INSTRUCTION GUIDE FOR FUTURE REFERENCE.

Please note.....This product must be assembled by an adult. Periodically check all hardware to be certain that it is secure. Instructions should be read thoroughly prior to assembly. Read each step and do them in the order they are shown.

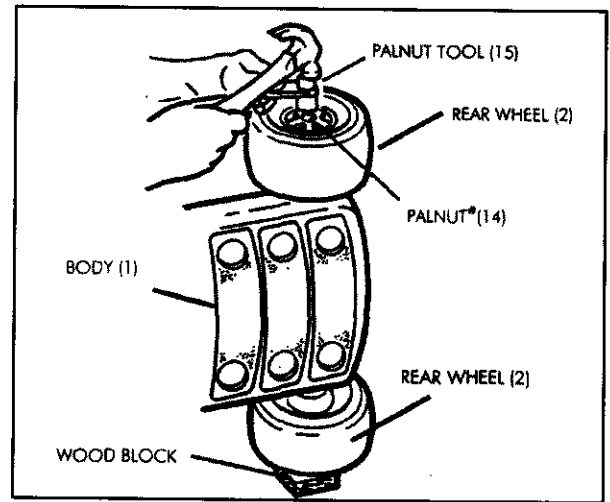
! CAUTION: ADULT SUPERVISION AND INSTRUCTION IS REQUIRED FOR THE PROPER USE OF THIS CYCLE. THIS CYCLE SHOULD NOT BE RIDDEN AROUND SWIMMING POOLS, NEAR HILLS, ROADS OR HIGHWAYS, SLOPED DRIVEWAYS, ALLEYS OR STEPS. RIDERS ARE TO WEAR SHOES AT ALL TIMES. ONLY ONE RIDER AT A TIME. PRIOR TO ASSEMBLY, SMALL PARTS MAY BE HAZARDOUS TO CHILDREN UNDER 3 YEARS OF AGE. CARE SHOULD BE TAKEN IN THE UNPACKING AND ASSEMBLY OF THE TOY. RIDER MUST ALWAYS WEAR A HELMET.

TOOLS REQUIRED (NOT INCLUDED) Hammer, Phillips® Screwdriver, and a small wooden block.



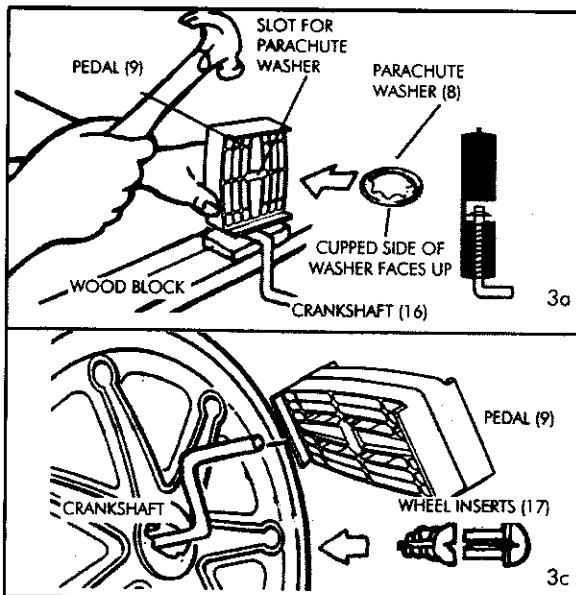
Step 1. REAR WHEEL ASSEMBLY

- 1a. Place rear axle (4) on the small block of wood. Position the palnut tool (15) over the palnut. Using a hammer, drive the palnut onto the end of the axle.
- 1b. Slide axle through the hole in the spoked side of the rear wheel (2). Slide axle through the holes in the body (1). Slide the other rear wheel, spoked side out, over the other end of the axle.



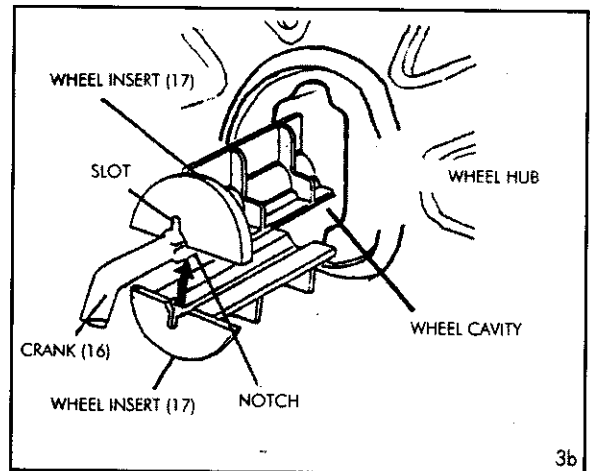
Step 2. REAR WHEEL/BODY ASSEMBLY

Turn body on it's side, with the uncapped axle facing up. Place the block of wood under the capped axle. If necessary, press down on top of the rear wheel (2) to expose the end of the axle through the wheel. Position the palnut over the axle and with the palnut tool over the palnut, drive the palnut onto the axle using the hammer.



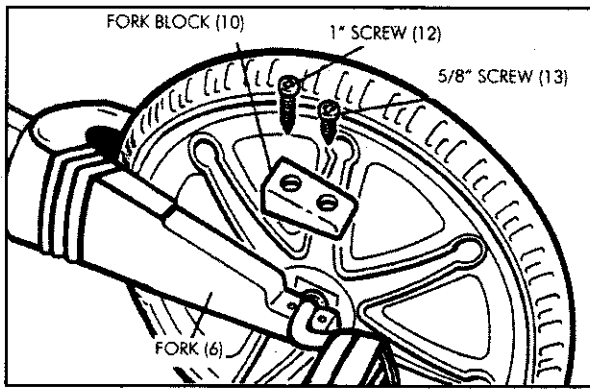
STEP 3. FRONT WHEEL AND PEDAL ASSEMBLY

3a. Center the parachute washer (8) in the pedal (9) slot. The cupped side of the washer should be facing the outside edge of the pedal. Refer to figure 3a. Rest the crankshaft (16) over the edge of a table and with the parachute washer in the pedal slot, slide the pedal onto the crankshaft. Align the crankshaft with the washer and hammer the pedal end, driving the crankshaft through the washer until it bottoms out inside the pedal. Pull on the pedal to make sure it is secure.



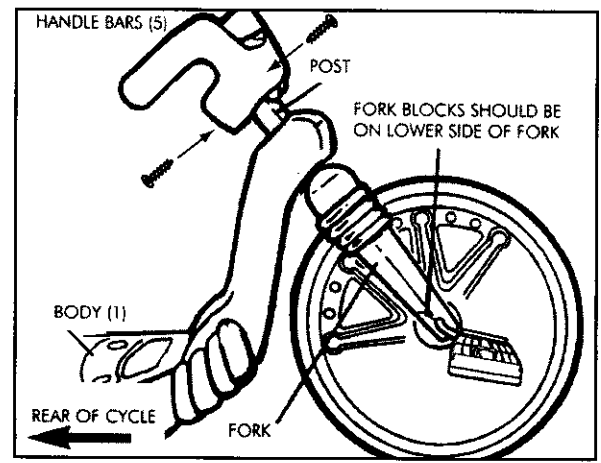
3b. Turn the crank shaft over and slide the front wheel (7) onto the open crankshaft arm. Position the two wheel inserts (17) over the crankshaft, aligning insert slots over the crankshaft notches. Push the insert/crankshaft assembly into the wheel cavity. Tap the inserts so they are flush against the wheel hub surface.

3c. Hold the inserts and the crankshaft in place. Turn the wheel over. Slide the remaining two inserts into the wheel hub and tap them into place. Wheel should be centered in crankshaft. Attach the pedal with the other parachute washer similar to step 3a. Check pedal to make sure it is secure.



STEP 4. FORK AND FRONT WHEEL ASSEMBLY

Fit the crankshaft into the fork (6) recesses. Place the fork block (10) over one end of the axle as shown. Line up the fork block holes and the fork holes. Fit 1" screw (12) into top in the fork block and snug up with a Phillips screwdriver. Fit the 5/8" (13) screw into the bottom hole of the fork and snug up. Repeat steps on other side of wheel assembly. After all screws have been snugged-up, tighten the screws. **DO NOT OVER TIGHTEN THE SCREWS.**

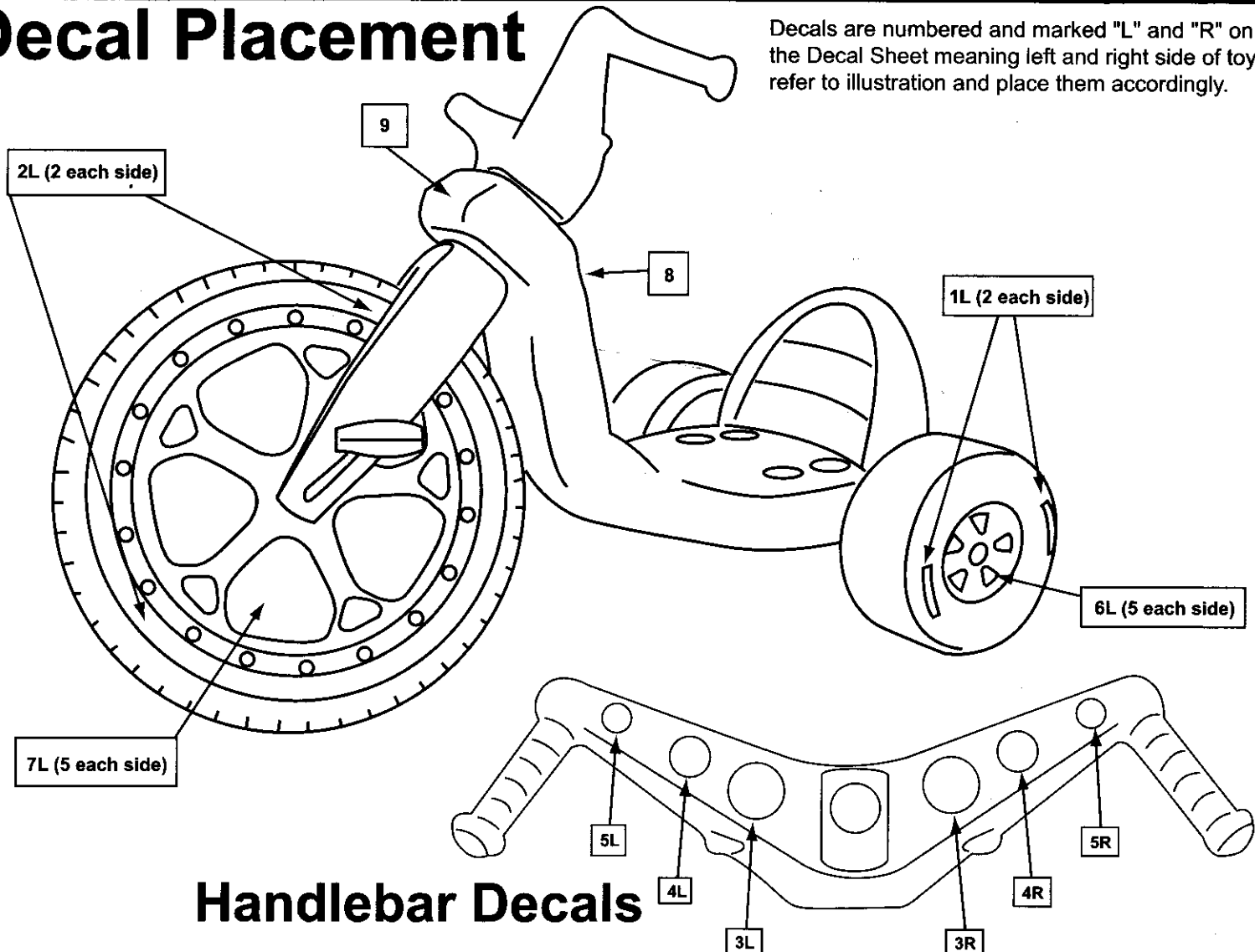


STEP 5. HANDLEBAR ASSEMBLY

Slide the handlebars(5) over the fork post until they make contact with the body, making sure the handles and the fork blocks face the rear of the cycle. Insert one 1-3/4 inch screw through hole in front of handlebars and one 1-3/4 inch screw through the back of the handlebars. Proceed to decal placement.

Decal Placement

Decals are numbered and marked "L" and "R" on the Decal Sheet meaning left and right side of toy, refer to illustration and place them accordingly.



Handlebar Decals

LIMITED 30 DAY WARRANTY

Empire Toys warrants this item to be free from manufacturer's defects in material and workmanship for 30 days from the original date of purchase. If a defect exists, at its option, Empire Toys will either repair or replace the product, free of charge. You are responsible for the cost of returning the product to Empire Toys.

This Limited Warranty does not cover any damage due to 1) abuse of this product in any manner beyond its intended use; 2) normal wear and tear and 3) fading due to the harsh effects of prolonged sunlight. This Limited Warranty is non-transferable.

THIS LIMITED WARRANTY AND THE REMEDIES SET FORTH ABOVE ARE EXCLUSIVE AND IN LIEU OF ALL OTHER WARRANTIES, REMEDIES AND CONDITIONS, WHETHER ORAL OR WRITTEN, EXPRESS OR IMPLIED. EMPIRE TOYS SPECIFICALLY DISCLAIMS ANY AND ALL IMPLIED WARRANTIES, INCLUDING, WITHOUT LIMITATION, WARRANTIES OF MERCHANTABILITY AND/OR FITNESS FOR A PARTICULAR PURPOSE. IF EMPIRE TOYS CANNOT LAWFULLY DISCLAIM IMPLIED WARRANTIES UNDER THIS LIMITED WARRANTY, ALL SUCH WARRANTIES, INCLUDING WARRANTIES OF MERCHANTABILITY AND FITNESS FOR A PARTICULAR PURPOSE ARE LIMITED IN DURATION TO THE DURATION OF THIS WARRANTY.

EMPIRE TOYS SHALL NOT BE LIABLE OR RESPONSIBLE FOR ANY DIRECT, SPECIAL, INCIDENTAL OR CONSEQUENTIAL DAMAGES RESULTING FROM ANY BREACH OF WARRANTY OR CONDITION, OR UNDER ANY OTHER LEGAL THEORY, INCLUDING BUT NOT LIMITED TO, LOSS OF USE OF THE PRODUCT, BREACH OF CONTRACT, NEGLIGENCE, STRICT LIABILITY OR ANY OTHER LEGAL THEORY RELATED TO THIS PRODUCT.

Some states do not allow the exclusion or limitation of incidental or consequential damages, or allow limitations on how long an implied warranty lasts, so the above warranty limitations or exclusions may not apply to you. This Limited Warranty gives you specific rights, and you may have other rights which vary from state to state.

In order to obtain warranty service for this product in accordance with the terms outlined above, you must contact Empire Toys at 1-800-368-6367. Proof of purchase is needed to redeem warranty.