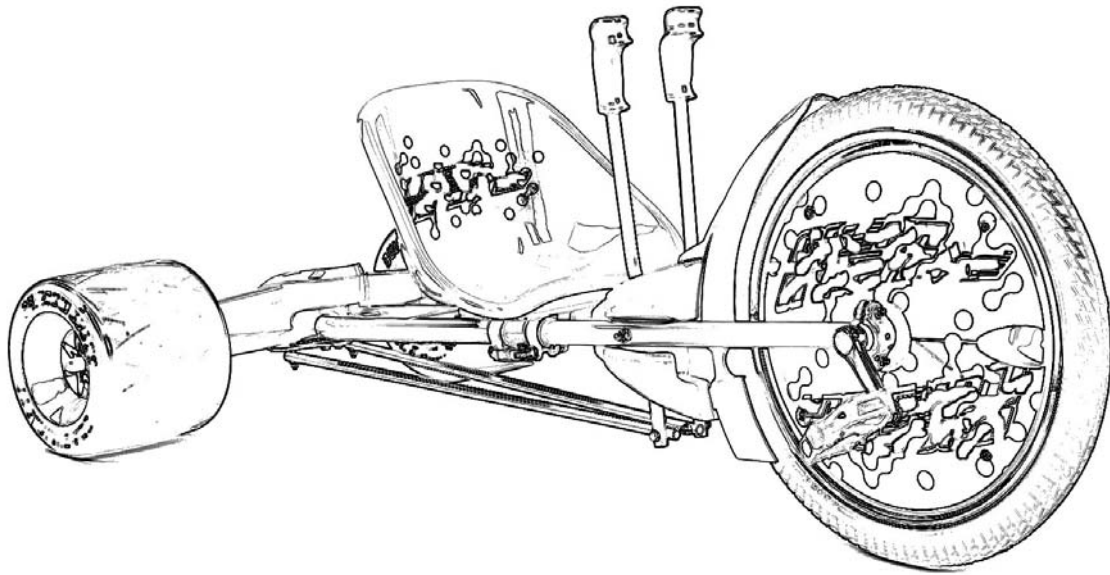




Owner's Manual and Operating Instructions



Patent Pending

ADULT ASSEMBLY REQUIRED

USE ONLY UNDER ADULT SUPERVISION

**READ AND FOLLOW THE INSTRUCTIONS IN THIS MANUAL
COMPLETELY**

**ALWAYS WEAR PROPER PROTECTIVE GEAR INCLUDING A CPSC
APPROVED HELMET WHILE OPERATING THE PRODUCT**

KEEP THESE INSTRUCTIONS FOR FUTURE REFERENCE

01072003MAW

Safety Information

PLEASE READ AND FULLY UNDERSTAND THIS OWNERS MANUAL BEFORE OPERATING THE PRODUCT



This symbol is important. It is the WARNING symbol. The warning symbol precedes safety instructions. Failure to follow these instructions may result in injury to the rider or to others, or damage to the product.

All wheeled vehicles will provide safe, enjoyable transportation and recreation when used and maintained properly. Like bicycling, skateboarding, and in-line skating, riding can be dangerous even under the best of circumstances. We do not want you to get hurt. Please follow all safety rules and operating instructions.



WARNINGS:

- Adult assembly is required.
- Adult supervision is required.
- This product should only be used by persons 5 to 13 years old.
- Always wear a CPSC approved helmet while riding, with the chinstrap securely fastened.
- Always wear shoes when riding.
- Always wear knee pads, wrist guards, gloves, and elbow pads when riding.
- Do not ride the product at dusk, at night or at times of limited visibility.
- Do not ride the product without the flag installed.
- Always comply with local laws and regulations.
- Ride on smooth paved surfaces.
- Do not ride on streets.
- Do not ride off road, on grass or wet surfaces.
- Do not ride on hills, steeply sloped areas, on or near steps, near swimming pools, or in alleys.
- Not intended for jumping.
- The brake may be hot after continuous use. Do not touch after braking.
- Check brakes and secure all fasteners before every ride.
- Do not wear headphones or anything else that would impair your ability to hear or see.
- Understand all operating procedures before riding.
- Do not push the product.
- Do not tow or pull any objects with the product.
- Never ride with more than one person. Maximum weight is 180 lbs.
- Replace worn or broken parts immediately.
- Know your limits. Be familiar with your abilities. Use common sense.

IF YOU HAVE ANY QUESTIONS REGARDING THE OPERATION OF THIS PRODUCT, PLEASE REFER TO THIS OWNERS MANUAL OR CALL 1-800-872-2453.

Product Identification Information

This information is only available on the product itself.

Each product has a Model / Date Code printed on the label. The Model / Date Code can be found on the bottom of the seat mounting plate, or on the bottom of the frame near the seat. Write this number below to keep for future reference. It is suggested that the consumer engrave his or her own identifying marks on the seat mounting plate.

You will need this number if you order parts or request service information from our Customer Service Department. Contact us M–F 8:00am – 4:30pm (E.S.T.) at 1-800-872-2453. The shortest waiting time is between 8:00am and 10:00am E.S.T.

Model / Date Code: _____

Purchase Date: _____ Model Name: _____

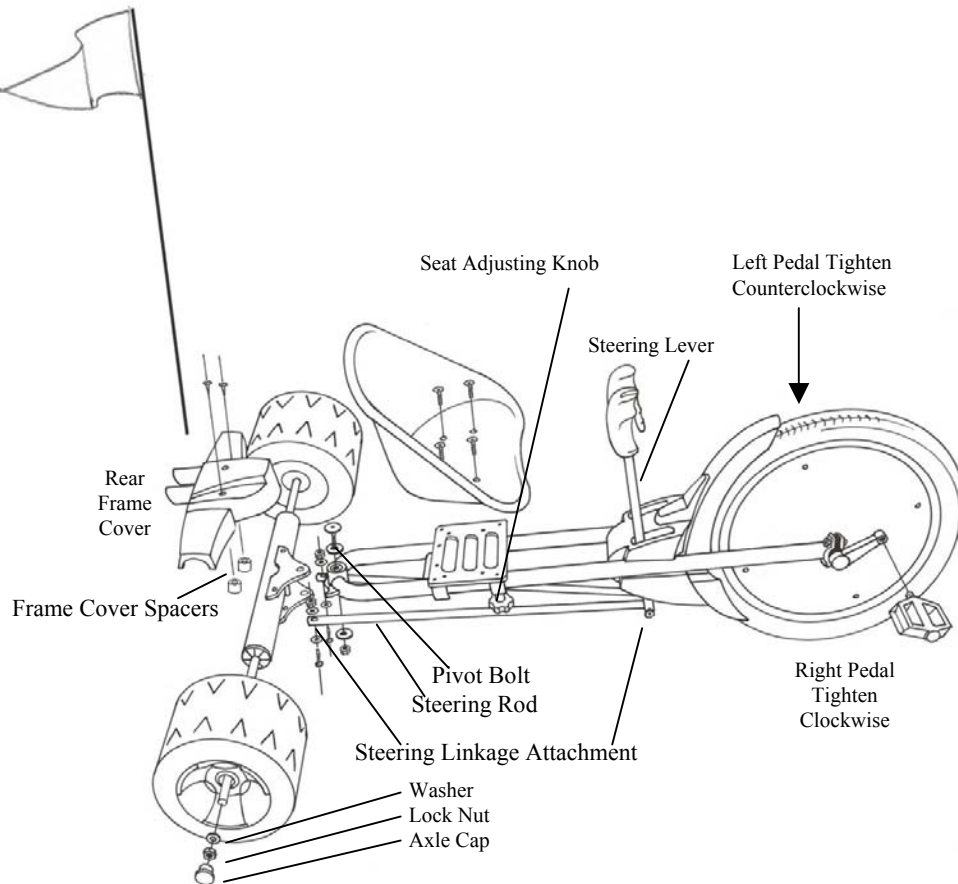
Assembly & Adjustment Instructions

Tools necessary for assembly: Two small adjustable wrenches
Hammer
Flat and phillips screwdrivers
Assortment of metric allen wrenches
(2) 13mm sockets

Note: The instructions in this manual refer to the right and left side of the product, these are defined from the rider position.

Assembly Drawing:

Follow the diagram below to completely assemble the product.
Additional instructions for assembly of specific components follow this section.



(all models may not have all features shown)

Assembly Instructions

Remove all packaging prior to assembly. Do not discard any parts until the unit is completely assembled.

Rear Frame to Main Frame:

Remove the pivot bolt that is packaged with the frame.

Install the rear frame. Orient the threaded holes in the rear frame towards the top and the through holes toward the bottom (the through holes and hardware in them are for the steering linkage).

Tighten the pivot bolt and nylon lock nut.



WARNING: PIVOT BOLT AND NYLON LOCK NUT MUST BE SUFFICIENTLY TIGHTENED TO ENSURE THEY DO NOT COME LOOSE.

Remove the steering rods from the carton.

Remove the steering linkage hardware from the rear frame and the steering levers.

Install each steering rod to the rear frame and to the steering levers using the hardware supplied.

Note: The steering rods are interchangeable; there is no right/left or front/rear.

Tighten each only until the nylon lock nut is engaged - these must be loose enough for the steering to function.

Check the steering function to ensure it works properly.

Steering Function:

Pulling back on the right lever, and pushing forward on the left lever will turn the product towards the right.

Pulling back on the left lever, and pushing forward on the right lever will turn the product towards the left.

Steering this product takes some practice. Ensure the rider can properly steer the product in an open area.



WARNING: OVERTIGHTENING THE STEERING LINKAGE MAY PREVENT THE STEERING FROM OPERATING PROPERLY.



WARNING: DO NOT RIDE THE PRODUCT OVER CURBS OR BUMPS THAT CAN DAMAGE THE STEERING MECHANISM.

Rear Frame Cover:

Remove the two screws threaded into the top of the rear frame and install the rear frame cover. Place the spacers provided between the rear frame cover and the frame.

Rear Axle and Wheels:

Install the axle through the bushings that are pressed into the rear frame section.

Place one wheel, then one washer on each end. Orient the graphics on the wheels toward the outside of the product. Install the nylon locking axle nuts, tighten both sides.

Install an axle cap (supplied in the parts box) on each end. Tap each cap on with the hammer. Ensure each cap is seated.



WARNING: THE NYLON LOCKING NUTS MUST BE ENGAGED ON THE THREAD TO ENSURE REAR AXLE DOES NOT COME LOOSE.

Pedals:



WARNING: THERE IS A PEDAL MARKED “R” AND A PEDAL MARKED “L”.

The pedal marked “R” has right hand threads. Insert it into the crank arm on the right side. Tighten it in a clockwise direction.

The pedal marked “L” has left hand threads. Insert it into the crank arm on the left side. Tighten it in a counterclockwise direction.

Make sure both pedals are threaded fully into the crank arm. Tighten the pedals to ensure they will not come loose.



WARNING: PEDALS MUST BE SUFFICIENTLY TIGHTENED TO ENSURE THEY DO NOT COME LOOSE.

Seat:

Place the seat on the seat bracket.

Install the seat using the 4 screws provided in the parts box (if 2 screws are longer, they are for the front 2 holes). Tighten the screws sufficiently to hold the seat onto the bracket.

Seat adjustment is accomplished by loosening the lock knob(s) on the seat bracket and sliding the seat on the frame.

Front Tire:

Recommended tube/tire inflation pressure is on the tire sidewall.

Frequently check the inflation pressure. All tube/tires slowly lose air pressure over time. For extended storage, maintain the tube/tire at the recommended pressure.



WARNING: DO NOT RIDE OR SIT ON THE PRODUCT IF THE TUBE/TIRE IS UNDER INFLATED. THIS CAN DAMAGE THE TIRE, INNER TUBE AND RIM.



WARNING: DO NOT USE AN UNREGULATED AIR HOSE TO INFLATE THE TUBE/TIRE. AN UNREGULATED AIR HOSE CAN SUDDENLY OVERINFLATE THE TUBE/TIRE AND CAUSE THEM TO BURST.

Use of a hand or foot pump is recommended to inflate the tube/tire.

Before adding air to any tube/tire, make sure the edge of the tire (bead) is the same distance from the rim, all around the rim, on both sides of the tire. If the tire does not appear to be seated correctly, release any air pressure, and push the bead into the rim where necessary until the tire is properly located on the rim. Add air slowly and stop frequently to check the tire seating on the rim. Continue to add air until the proper pressure is attained.

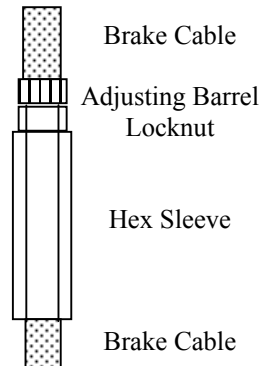
Replace worn or defective tires and tubes.

Brake Adjustment:

This product is shipped with the brake adjusted. Brake adjustment should be checked before use and periodically to ensure proper braking. There are two locations where the brake can be adjusted. One is a barrel adjustment on the brake cable near the steering lever. The other adjustment is made at the brake caliper (see below).

To adjust the brake at the barrel:

- 1) Loosen the lock nut
- 2) Hold the hex sleeve
- 3) Turn the barrel clockwise to loosen the brake and counterclockwise to tighten the brake.
- 4) Lock the locknut against the hex sleeve before use.



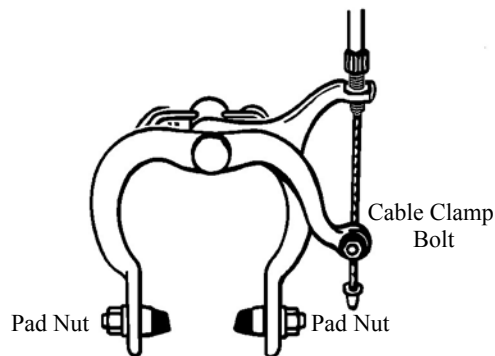
To adjust the brake at the caliper:

Note: This adjustment is easier to accomplish with two people.

- 1) Loosen the brake pad nuts.
- 2) Have one person squeeze the brake caliper (not the hand lever) until both pads contact the rim.
(Hold the brake to the rim until the procedure is completed.)
- 3) Tighten the brake pad nuts with the pads parallel to the rim and not contacting the tire.
- 4) Loosen the brake cable clamp bolt.
- 5) Pull any slack out of the brake cable.
- 6) Tighten the brake cable clamp bolt.
- 7) Release the brake caliper.

Check the tightness of the cable clamp:

Squeeze the brake lever with firm pressure. Make sure the cable does not move in the cable clamp.



Brake Assembly - Viewed From The Bottom Of The Product



WARNING: DO NOT OVERTIGHTEN THE CABLE CLAMP. OVERTIGHTENING THE CABLE CLAMP MAY CUT THE CABLE AND CAUSE BRAKE FAILURE.

Check the brake for proper operation by spinning the wheel, and applying the brake a few times. If the brake does not operate properly, repeat the procedure.

Flag:

Install the flag in the hole in the center of the rear frame cover.



WARNING: THE FLAG IS PROVIDED TO MAKE THE RIDER AND THE PRODUCT MORE VISIBLE. DO NOT USE THE PRODUCT WITHOUT THE FLAG INSTALLED.

Maintenance

Periodic maintenance is required to ensure the product continues to operate properly.
If any part of the product does not operate properly – discontinue use.

Keep the product clean and free of dirt, dust and water. This will prolong the useful life of the product. Check all screws and fasteners, re-tighten any that are loose. Replace any fasteners that are damaged.



WARNING! IF ANYTHING DOES NOT OPERATE PROPERLY, DISCONTINUE USE.

Limited Warranty

Part or model specifications are subject to change without notice.

This Limited Warranty is the only warranty for this product. There are no other express or implied warranties. The only uses for this product are described in this manual. Warranty registration is not required. This limited warranty extends only to the original consumer and is not transferable.

What does this Limited Warranty cover?

This Limited Warranty covers all parts of the product.

What must you do to keep the Limited Warranty in effect?

This Limited Warranty is effective only if:

- the product is completely and correctly assembled;
- the product is used under normal conditions for its intended purpose (see “Warnings” for excluded activities);
- the product receives all necessary maintenance and adjustments.

What is not covered by this Limited Warranty?

This product is designed for recreational use only. This Limited Warranty does not cover normal wear and tear, normal maintenance items, or any damage, failure, or loss that is caused by improper assembly, maintenance, adjustment, storage, or use.

This Limited Warranty is void if the product is ever:

- used for stunt riding, jumping, acrobatics, or similar activity;
- used in any competitive sport;
- installed with a motor or modified in any other way;
- ridden by more than one person at a time, or the weight limit is exceeded;
- rented;
- used in a manner contrary to the instructions in this manual.

How long does this Limited Warranty Last?

All components are warranted for six (6) months from the date of purchase. Excluding the rear wheels. The main and rear frame assembly has a lifetime warranty for the original owner.

What will the manufacturer do?

The manufacturer will replace, without charge to you, any component found to be defective. The original owner must pay all labor and transportation charges associated with the repair or warranty work.

How do you get service?

Phone Technical Service Department M-F 8:00am – 4:30pm (E.S.T.) at 1-800-872-2453.

What rights do you have?

This Limited Warranty gives you specific legal rights. You may also have other rights which vary from state to state